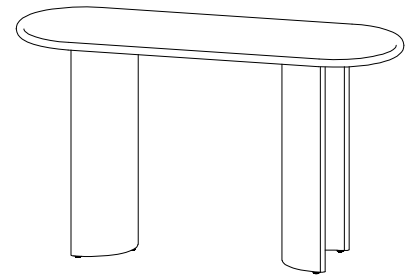


**Warning :**

- Be sure to check all packing material carefully for small parts, which may have come loose inside the carton during shipment.
- To prevent possible scratches and damage, this furniture must be assembled on a soft surface such as a blanket or carpet.

**Important Use Information:** We recommend using coasters, placemats and trivets when placing hot or cold containers on this item. It is also recommended to quickly cleanup any spills to minimize exposure to moisture. Doing so will prolong the life and look of the item for many years.

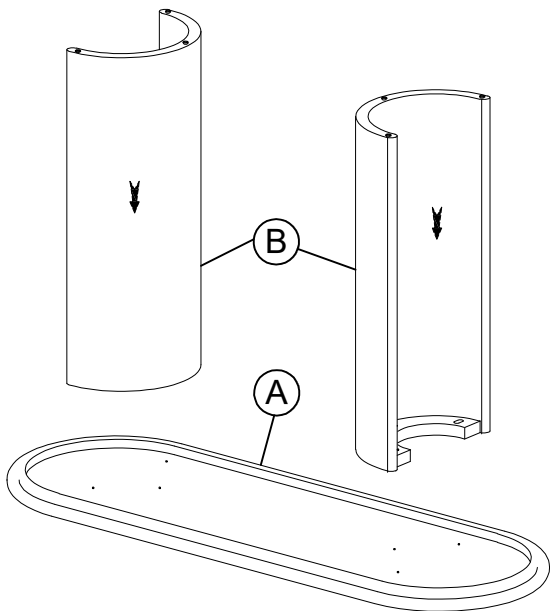


74512  
Sofa Table

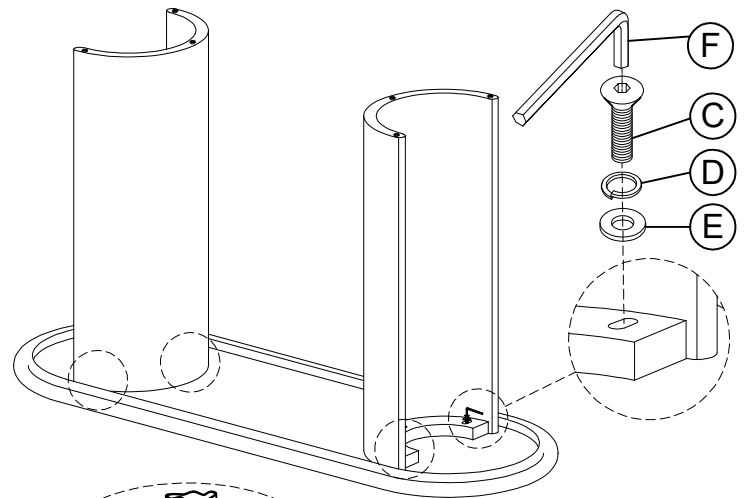
**Components and Hardware List**

Table Top	Leg Assembly	1/4-20 x 1-1/2" Allen Bolt	1/4" Spring Washer	1/4" Flat Washer	5mm Allen Key	Furniture Tipping Restraint Kit
1 pc.	2 pcs.	6 pcs.	6 pcs.	6 pcs.	1 pc.	1 pc.

**Step 1: Match the hole on the table leg with holes on the bottom of the table**



**Step 2: Using the Allen Key to tighten all bolts.**



**Step 3 : Attach the tipping restraint kit**

